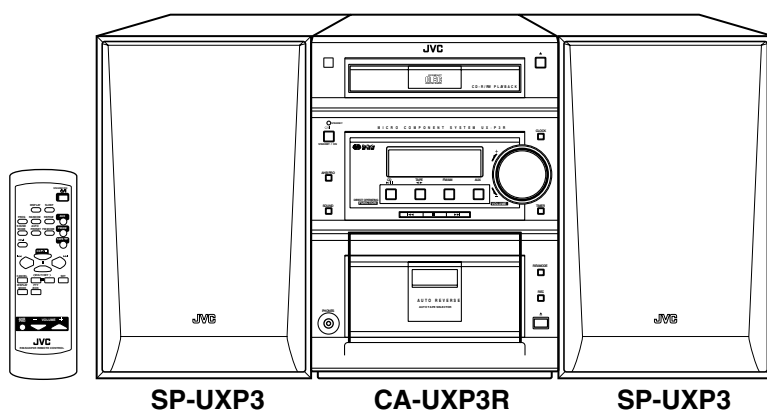


JVC

SERVICE MANUAL

MICRO COMPONENT SYSTEM

UX-P3R



COMPACT
disc
DIGITAL AUDIO



Area Suffix

EE ---- Russian Federation
EV ----- Eastern Europe

This model is UX-P3R EE/EV that is added to the preceding model, the UX-P3R B/E/EN .
Therefore the service manual for this model is consisting of Parts list only.
For others, please refer to the service manual of UX-P3R B/E/EN (issue No.20945).

EE version

■Parts list (General assembly)

P3-4 Block No. M1MM

△	Item	Parts name	Parts number		Q'ty
			E version	EE version	
	104	RATING LABEL	GV30172-006A	GV30172-007A	1

■Electrical parts list (Front board)

P3-13 Block No. 02

△	Item	Parts name	Parts number	
			E version	EE version
	R7315	C RESISTOR	QRE141J-153Y	QRE141J-103Y

■Electrical parts list (Tuner board)

P3-16 Block No. 04

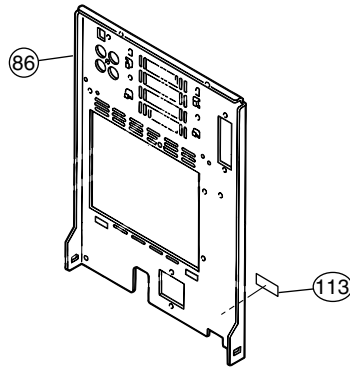
△	Item	Parts name	Parts number	
			E version	EE version
	C 6	C CAPACITOR	NCB21HK-102X	NCB21HK-222X
	C 49	C CAPACITOR	NCS21HJ-471X	-----
	CF 1	C FILTER	QAX0420-001	QAX0403-001
	CF 2	C FILTER	QAX0458-001Z	QAX0403-001
	R 5	RESISTOR	NRSA02J-560X	NRSA02J-750X
	R 6	RESISTOR	NRSA02J-120X	NRSA02J-240X
	TU 1	FRONT END	QAU0160-001	QAU0036-001

■Parts list (Accessories)

P3-21 Block No. M6MM

△	Item	Parts name	Parts number		Q'ty
			E version	EE version	
	A 3	INST BOOK (LANGUAGE)	GVT0053-006A (GER, FRE, DUT)	GVT0053-010A (RUS)	1

EV version



■Parts list (General assembly)

P3-4 Block No. M1MM

△	Item	Parts name	Parts number		Q'ty
			E version	EV version	
	113	B MARK CAUTION	-----	LV41869-001A	1

■Parts list (Accessories)

P3-21 Block No. M6MM

△	Item	Parts name	Parts number		Q'ty
			E version	EV version	
	A 3	INST BOOK (LANGUAGE)	GVT0053-006A (GER, FRE, DUT)	GVT0053-009A (POL, HUN, CZE)	1



VICTOR COMPANY OF JAPAN, LIMITED

AUDIO & COMMUNICATION BUSINESS DIVISION

PERSONAL & MOBILE NETWORK BUSINESS UNIT. 10-1,1chome,Ohwatari-machi,Maebashi-city,371-8543,Japan